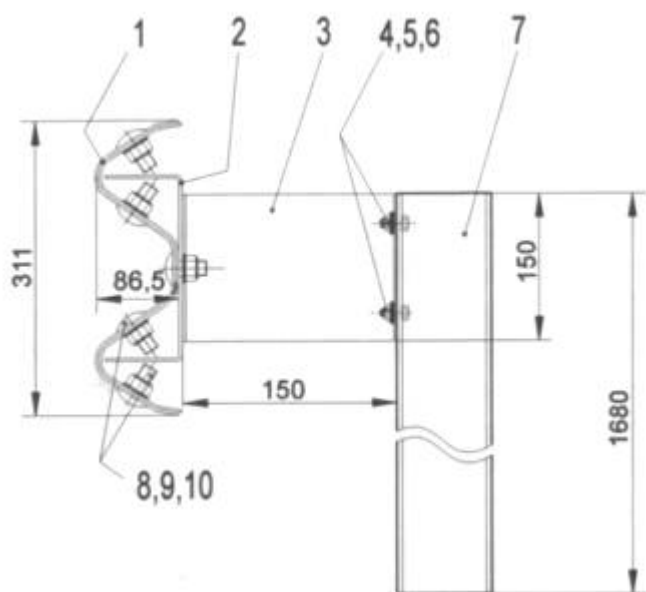
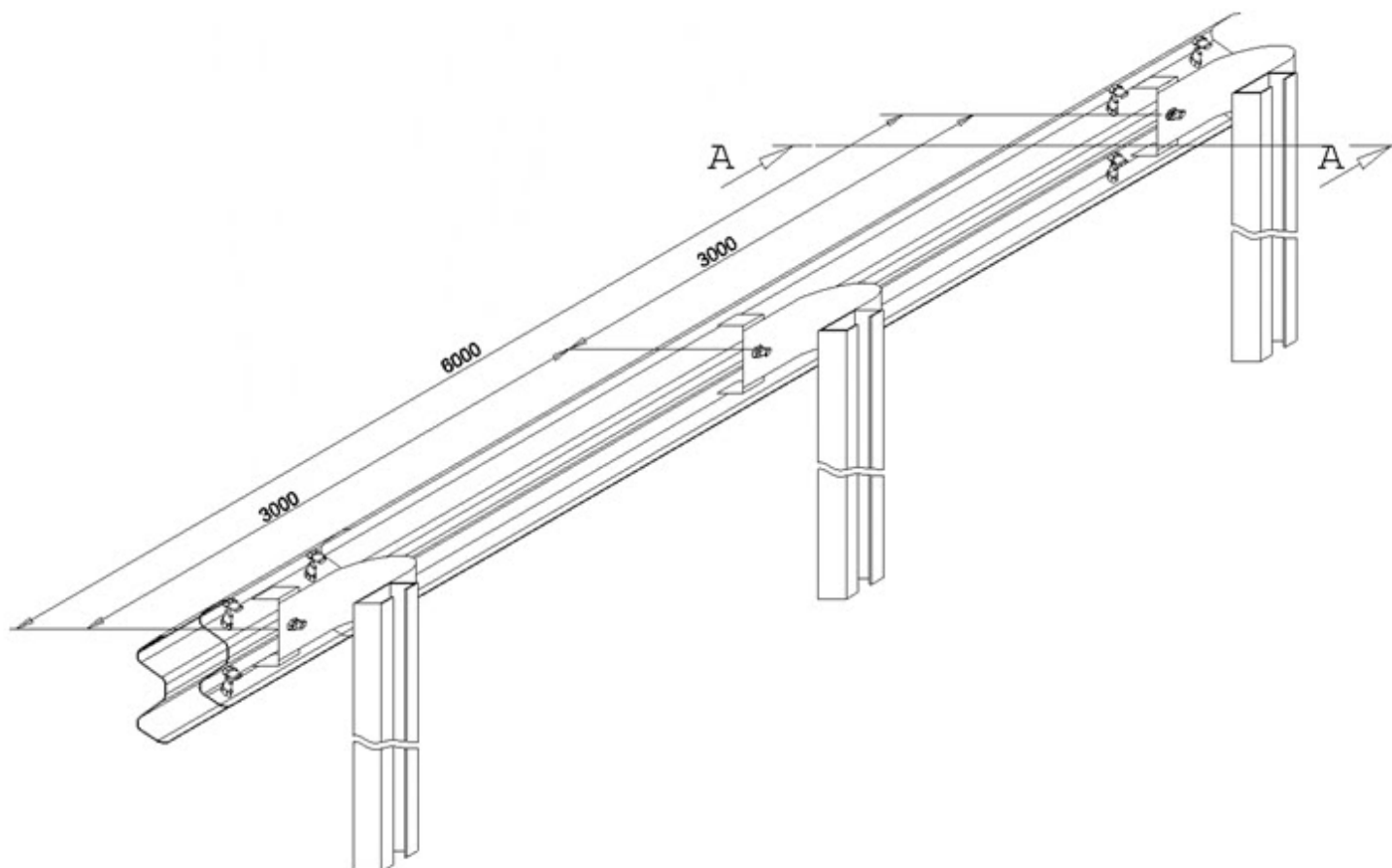


PARAPET DE PROTECTIE TIP SEMIGREU (STAS 1948/1-91)

sau proiect INTFOR (cu stalp C 100 x 50 x 25 x 4.0mm)

STEEL GUARDRAIL (for semi-heavy traffic roads)



SET PARAPET SEMIGREU (L=6 m)		
Nr. crt.	Denumire	Nr. buc/set
1	Profil parapet (L=6320 mm)	1
2	Etrier	2
3	Amortizor soc	2
4	Stalp 'C' 100x50x25x4 mm	2
5	Surub cu cap bombat si nas M16x40	10
6	Saiba 16	10
7	Piulita M 16	10
8	Surub M12x40	4
9	Saiba 12	8
10	Piulita M12	4

Masa teoretica:
-parapet in stare nezincata: 75 kg/set
-parapet zincat: 108 kg/set