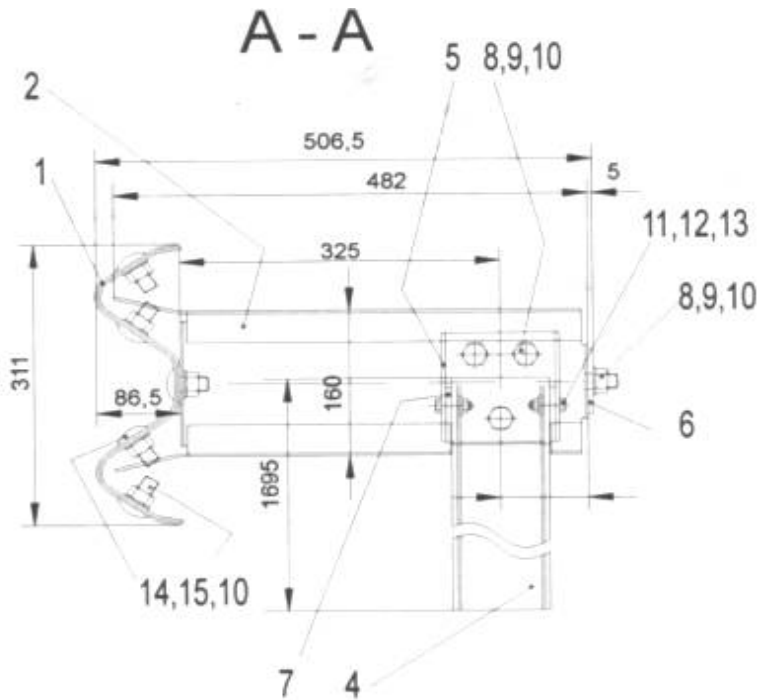
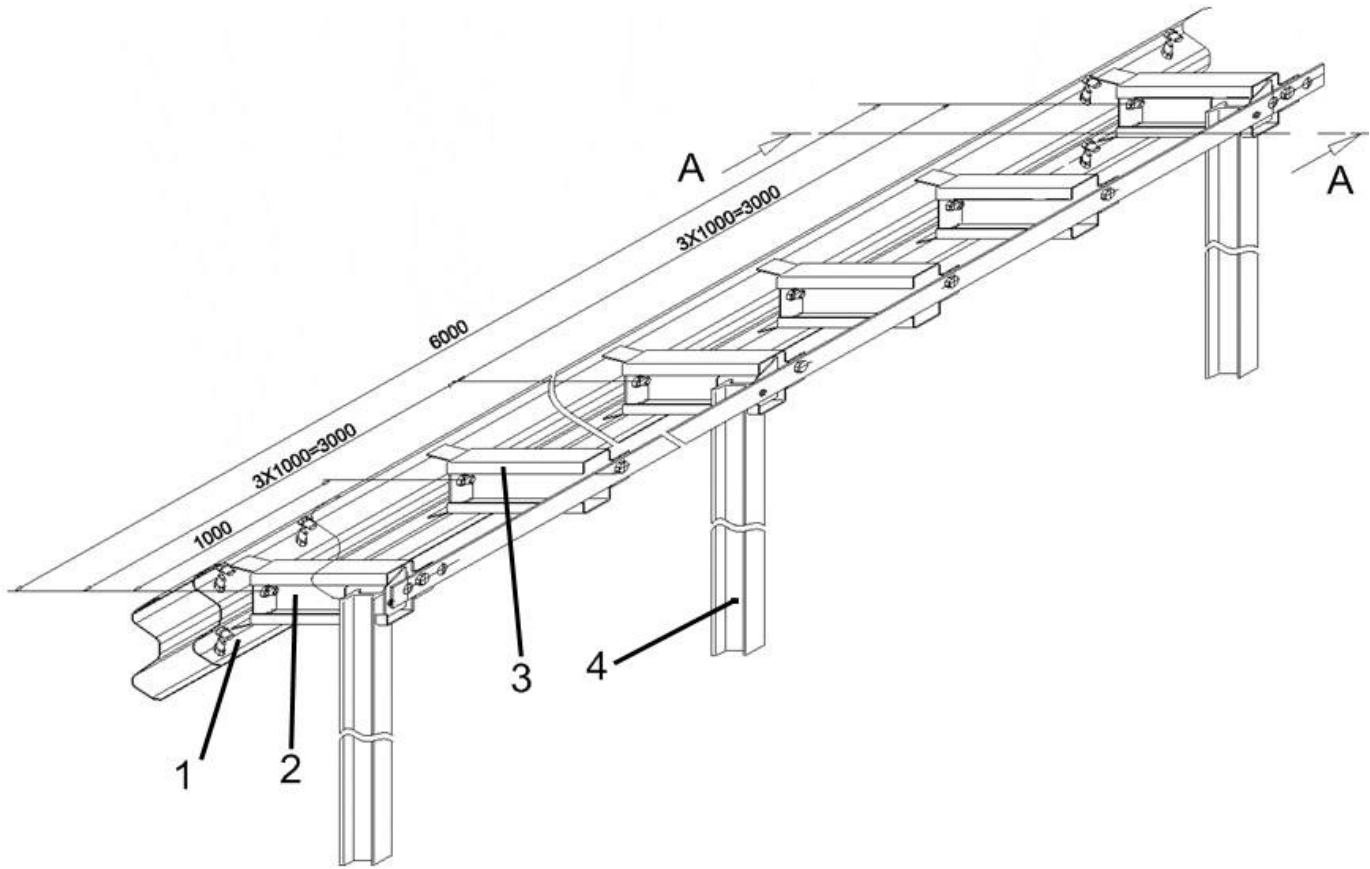


PARAPET DE PROTECTIE METALIC DE TIP GREU conform (STAS 1948/1-91)

STEEL GUARDRAIL (for semi-heavy traffic roads)



Nr. crt.	Denumire	Nr. buc/set
1	Profil parapet (L=6320 mm)	1
2	Distantier curent P8	2
3	Distantier liber P12	4
4	Stalp curent INP 10 (L=1680 mm)	2
5	Piesa prindere distantier curent P9	2
6	Banda solidarizare P13	1
7	Furura	4
8	Surub cu cap bombat si nas M16x40	15
9	Saiba 16	15
10	Piulita M 16	29
11	Surub M16x35	14
12	Saiba N16	14
13	Surub M8x35	4
14	Saiba I8	4
15	Piulita M8	4
Masa teoretica:		
- parapet in stare nezincata: 145 kg/set		
- parapet zincat: 150 kg/set		